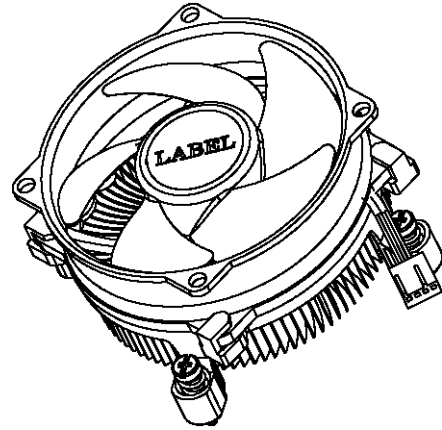
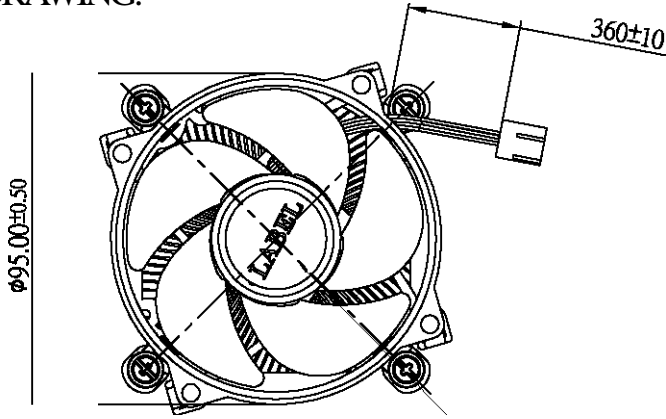
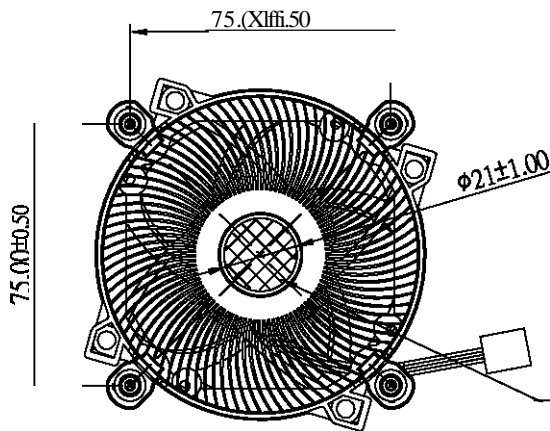
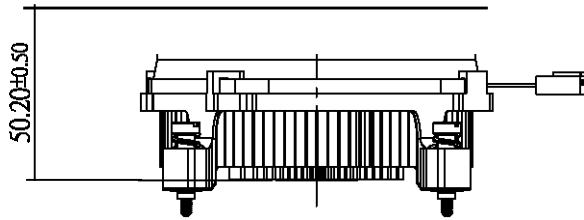


DRAWING:



FAN LABEL



SHINETSU X23-77830 P/N:40201 59200

UNIT: mm

		Drawn: Skyler.Huang 3/23'15	
		CUSTOMER NAME: USE	
		CUSTOMER P/N:	
DIMENSIONAL TOLERANCES () () () <math><30</math> :±0.04 UP-±10 :±1.5 >30-100 :±0.05 60-±100 :±2A		Description: PRODUCTION SPEC. (PHYSICAL DIMENSION)	
HOLES : ±0.05 ANGLES : ±0.5 THIRD ANGLE A4 SIZE		Part No. AmITX-SLHL TM-FAN_4	REV. 00
SCALE	UNIT MM USED ON	SHEET 1 OF 1	ISSUE DATE: